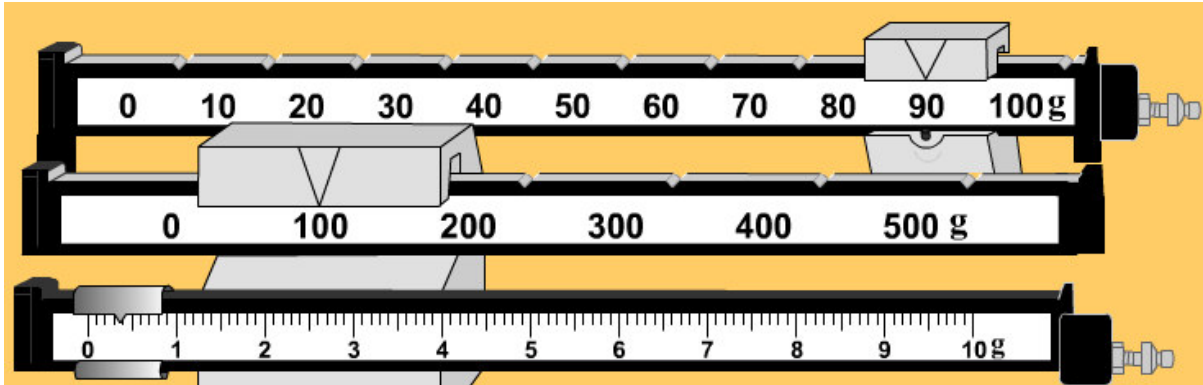
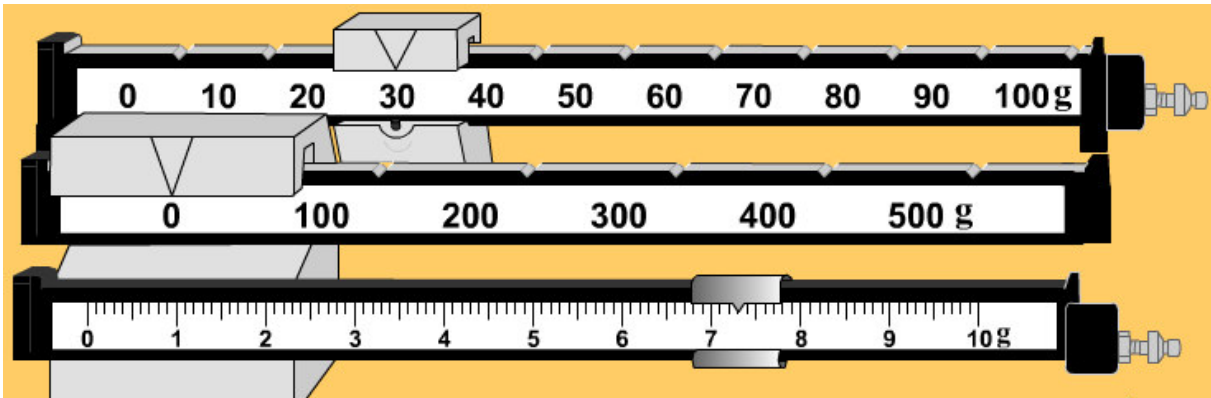


### Triple Beam Balance Practice

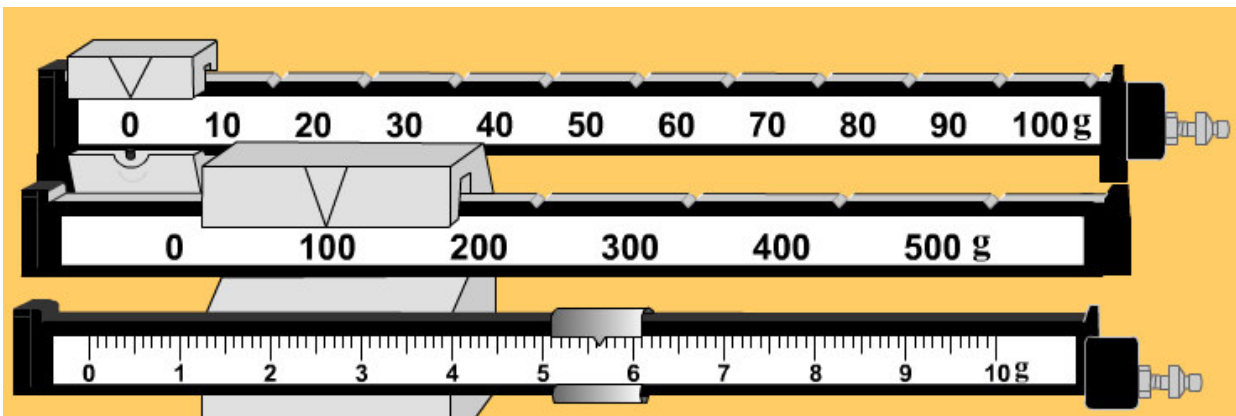
Record the mass show on each balance. Remember to include both the value on the beams and the unit of measurement.



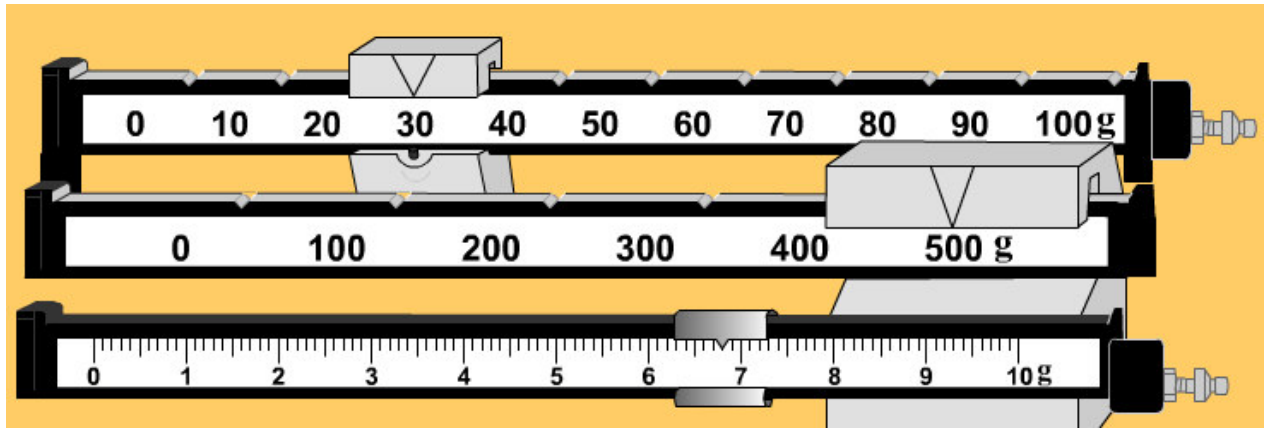
1. \_\_\_\_\_



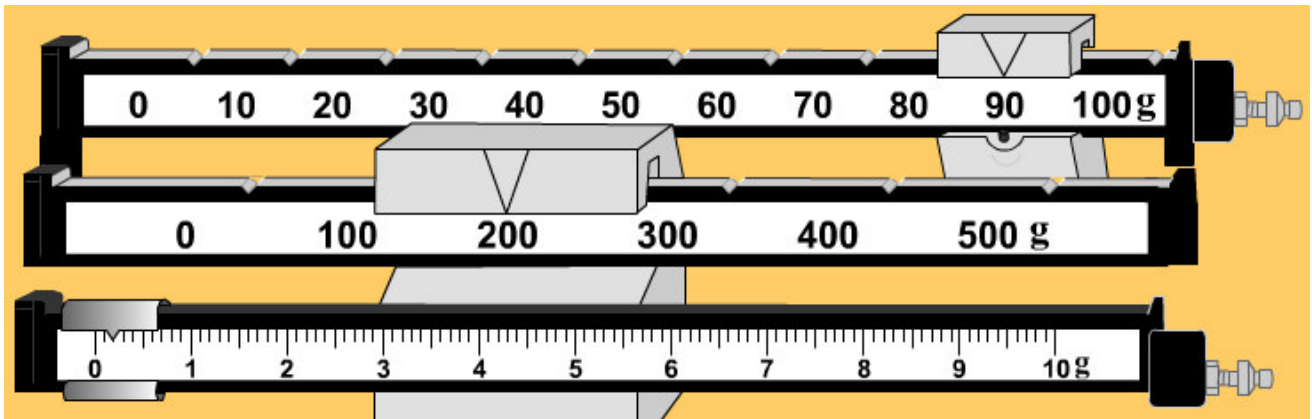
2. \_\_\_\_\_



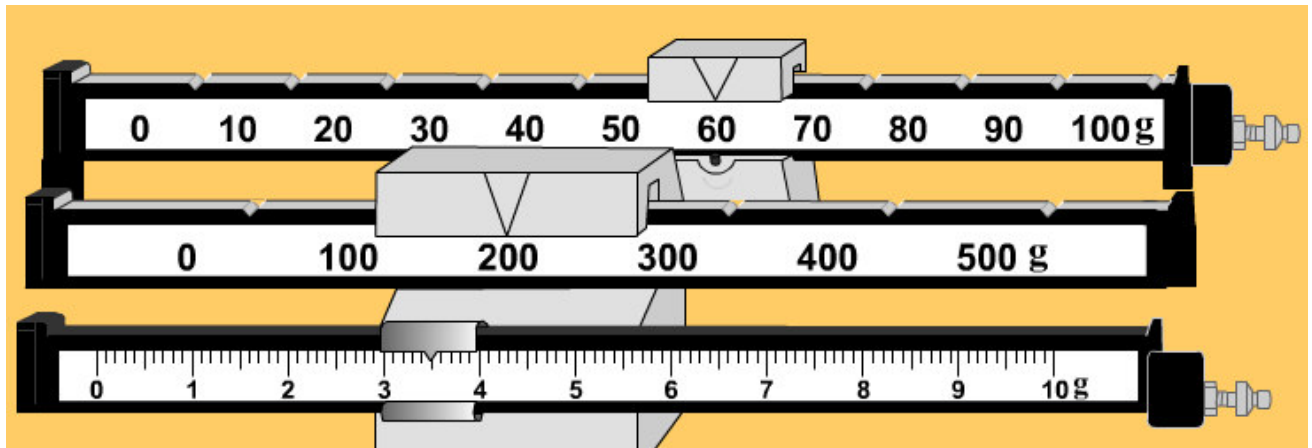
3. \_\_\_\_\_



4. \_\_\_\_\_



5. \_\_\_\_\_



6. \_\_\_\_\_